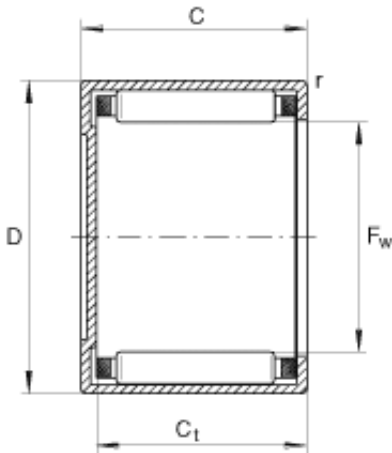




# CYSD TAPERED BEARINGS CO.,LTD



BK2216 Bearing 2D drawings and 3D CAD models

## INA BK2216 needle roller bearings

Bearing No. BK2216

Size	22x28x16 mm
Bore Diameter	22 mm
Outer Diameter	28 mm
Width	16 mm
$F_w$	22 mm
D	28 mm
C - 16 mm / Tolerance: -0,3	16 mm / Tolerance: 0,3
$C_{t\min}$	13,3 mm
$r_{\min}$	0,8 mm
m	24 g / Weight
$C_r$	13400 N / Dynamic load rating (radial)
$C_{0r}$	22100 N / Static load rating (radial)
$C_{ur}$	2800 N / Fatigue limit load, radial
$n_G$	11700 1/min / Limiting speed
$n_B$	8000 1/min / Reference speed
	IR17X22X16 / Suitable inner ring
Category	Needle Non Thrust Roller Bearings
Inventory	0.0
Manufacturer Name	SCHAEFFLER GROUP
Minimum Buy Quantity	N/A
Weight / Kilogram	0.02



## CYSD TAPERED BEARINGS CO.,LTD

EAN	4012802424911
Product Group	B04144
Rolling Element	Needle Roller Bearing
Component	Roller Assembly with Outer Ring - No Inner Ring
Enclosure	Open
Self Aligning	No
Retainer	Yes
Number of Rows of Rollers	Single Row
Separable	No
Closed End	Yes
Inch - Metric	Metric
Relubricatable	No
Thrust Bearing	No
Long Description	22MM Bore; 28MM Outside Diameter; 16MM Width; Needle Roller Bearing; Roller Assembly with Outer Ring - No Inner Ring; Open Enclosure; No Self Aligning; Retainer; Single Row of Rollers; No Separable; C
Other Features	1 Rib Outer Ring   Drawn Cup Bearing   Steel Cage
Category	Needle Non Thrust Roller Bearing
UNSPSC	31171512
Harmonized Tariff Code	8482.40.00.00
Noun	Bearing
Keyword String	Needle
Manufacturer URL	<a href="http://www.ina.com">http://www.ina.com</a>
Manufacturer Item Number	BK2216
Weight / LBS	0.046
Bore	0.866 Inch   22 Millimeter
Width	0.63 Inch   16 Millimeter



# CYSD TAPERED BEARINGS CO.,LTD

Outside Diameter	1.102 Inch   28 Millimeter
------------------	----------------------------