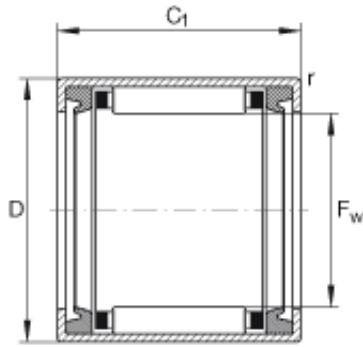




CYSD TAPERED BEARINGS CO.,LTD



INA HK2216-2RS needle roller bearings

Bearing No. HK2216-2RS

HK2216-2RS Bearing 2D drawings and 3D CAD models

| | |
|---------------------------------|--|
| Size | 22x28x16 mm |
| Bore Diameter | 22 mm |
| Outer Diameter | 28 mm |
| Width | 16 mm |
| F_w | 22 mm |
| D | 28 mm |
| C_1 - 16 mm / Tolerance: -0,3 | 16 mm / Tolerance: 0,3 |
| r_{min} | 0,8 mm |
| m | 18 g / Weight |
| C_r | 9100 N / Dynamic load rating (radial) |
| C_{0r} | 13400 N / Static load rating (radial) |
| C_{ur} | 1600 N / Fatigue limit load, radial |
| $n_{G\text{ Fett}}$ | 8000 1/min / Limiting speed for grease lubrication |
| | IR17X22X23 / Suitable inner ring |
| Category | Needle Non Thrust Roller Bearings |
| Inventory | 0.0 |
| Manufacturer Name | SCHAEFFLER GROUP |
| Minimum Buy Quantity | N/A |
| Weight / Kilogram | 0.023 |
| Product Group | B04144 |
| Rolling Element | Needle Roller Bearing |



CYSD TAPERED BEARINGS CO.,LTD

| | |
|---------------------------|--|
| Component | Roller Assembly with Outer Ring - No Inner Ring |
| Enclosure | 2 Seals |
| Self Aligning | No |
| Retainer | Yes |
| Number of Rows of Rollers | Single Row |
| Separable | No |
| Closed End | No |
| Inch - Metric | Metric |
| Relubricatable | No |
| Thrust Bearing | No |
| Long Description | 22MM Bore; 28MM Outside Diameter; 16MM Width; Needle Roller Bearing; Roller Assembly with Outer Ring - No Inner Ring; 2 Seals Enclosure; No Self Aligning; Retainer; Single Row of Rollers; No Separable |
| Other Features | 2 Rib Outer Ring Drawn Cup Bearing Steel Cage |
| Category | Needle Non Thrust Roller Bearing |
| UNSPSC | 31171512 |
| Harmonized Tariff Code | 8482.40.00.00 |
| Noun | Bearing |
| Keyword String | Needle |
| Manufacturer URL | http://www.ina.com |
| Manufacturer Item Number | HK22162RS |
| Weight / LBS | 0.04 |
| Width | 0.63 Inch 16 Millimeter |
| Bore | 0.866 Inch 22 Millimeter |
| Outside Diameter | 1.102 Inch 28 Millimeter |