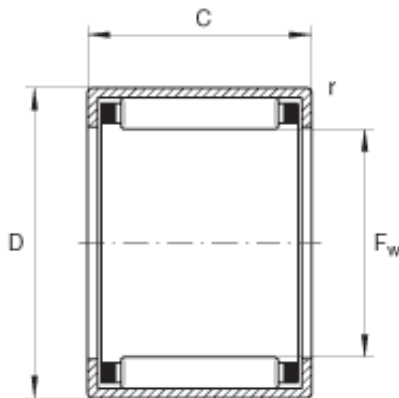




CYSD TAPERED BEARINGS CO.,LTD



INA HK2216 needle roller bearings

Bearing No. HK2216

Size	22x28x16 mm
Bore Diameter	22 mm
Outer Diameter	28 mm
Width	16 mm
F_w	22 mm
D	28 mm
C - 16 mm / Tolerance: -0,3	16 mm / Tolerance: 0,3
r_{min}	0,8 mm
m	21 g / Weight
C_r	13400 N / Dynamic load rating (radial)
C_{Or}	22100 N / Static load rating (radial)
C_{ur}	2800 N / Fatigue limit load, radial
n_G	11700 1/min / Limiting speed
n_B	8000 1/min / Reference speed
	IR17X22X16 / Suitable inner ring
Category	Needle Non Thrust Roller Bearings
Inventory	0.0
Manufacturer Name	SCHAEFFLER GROUP
Minimum Buy Quantity	N/A
Weight / Kilogram	0
Product Group	B04144

HK2216 Bearing 2D drawings and 3D CAD models



CYSD TAPERED BEARINGS CO.,LTD

Rolling Element	Needle Roller Bearing
Component	Roller Assembly with Outer Ring - No Inner Ring
Enclosure	Open
Self Aligning	No
Retainer	Yes
Number of Rows of Rollers	Single Row
Separable	No
Closed End	No
Inch - Metric	Metric
Relubricatable	No
Thrust Bearing	No
Long Description	22MM Bore; 28MM Outside Diameter; 16MM Width; Needle Roller Bearing; Roller Assembly with Outer Ring - No Inner Ring; Open; Not Self Aligning; Retainer; Single Row of Rollers; Not Separable; Not Close
Other Features	2 Rib Outer Ring Drawn Cup Bearing Steel Cage
Category	Needle Non Thrust Roller Bearing
UNSPSC	31171512
Harmonized Tariff Code	8482.99.65.30
Noun	Roller Assembly with Outer Ring
Keyword String	Bearing Needle
Manufacturer URL	http://www.ina.com
Manufacturer Item Number	HK2216
Weight / LBS	0.046
Outside Diameter	1.102 Inch 28 Millimeter
Bore	0.866 Inch 22 Millimeter
Width	0.63 Inch 16 Millimeter



CYSD TAPERED BEARINGS CO.,LTD